

HEF4051B-Q100

8-channel analog multiplexer/demultiplexer

Rev. 3 — 29 July 2021

Product data sheet

1. General description

The HEF4051B-Q100 is a single-pole octal-throw analog switch (SP8T) suitable for use in analog or digital 8:1 multiplexer/demultiplexer applications. The switch features three digital select inputs (S1, S2 and S3), eight independent inputs/outputs (Yn), a common input/output (Z) and a digital enable input (E). When E is HIGH, the switches are turned off. Inputs include clamp diodes. This enables the use of current limiting resistors to interface inputs to voltages in excess of V_{CC} .

This product has been qualified to the Automotive Electronics Council (AEC) standard Q100 (Grade 1) and is suitable for use in automotive applications.

2. Features and benefits

- Automotive product qualification in accordance with AEC-Q100 (Grade 1)
 - Specified from -40 °C to +85 °C and from -40 °C to +125 °C
- Wide supply voltage range from 3.0 V to 15.0 V
- CMOS low power dissipation
- High noise immunity
- Fully static operation
- 5 V, 10 V, and 15 V parametric ratings
- Standardized symmetrical output characteristics
- Complies with JEDEC standard JESD 13-B
- ESD protection:
 - MIL-STD-883C, method 3015 exceeds 2000 V
 - HBM JESD22-A114F exceeds 2000 V
 - MM JESD22-A115-A exceeds 200 V (C = 200 pf, R = 0 Ω)

3. Applications

- Analog multiplexing and demultiplexing
- Digital multiplexing and demultiplexing
- Signal gating

4. Ordering information

Table 1. Ordering information

All types operate from -40 °C to +125 °C.

| Type number | Package | | |
|-----------------|---------|--|----------|
| | Name | Description | Version |
| HEF4051BT-Q100 | SO16 | plastic small outline package; 16 leads; body width 3.9 mm | SOT109-1 |
| HEF4051BTT-Q100 | TSSOP16 | plastic thin shrink small outline package; 16 leads; body width 4.4 mm | SOT403-1 |

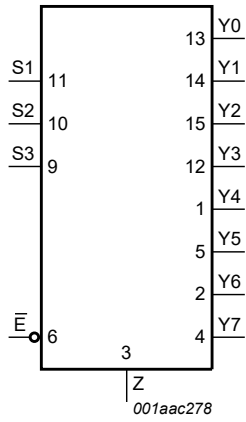


Fig. 3. Logic symbol

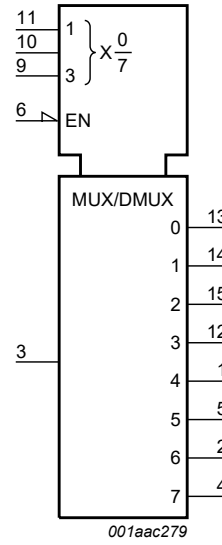


Fig. 4. IEC logic symbol

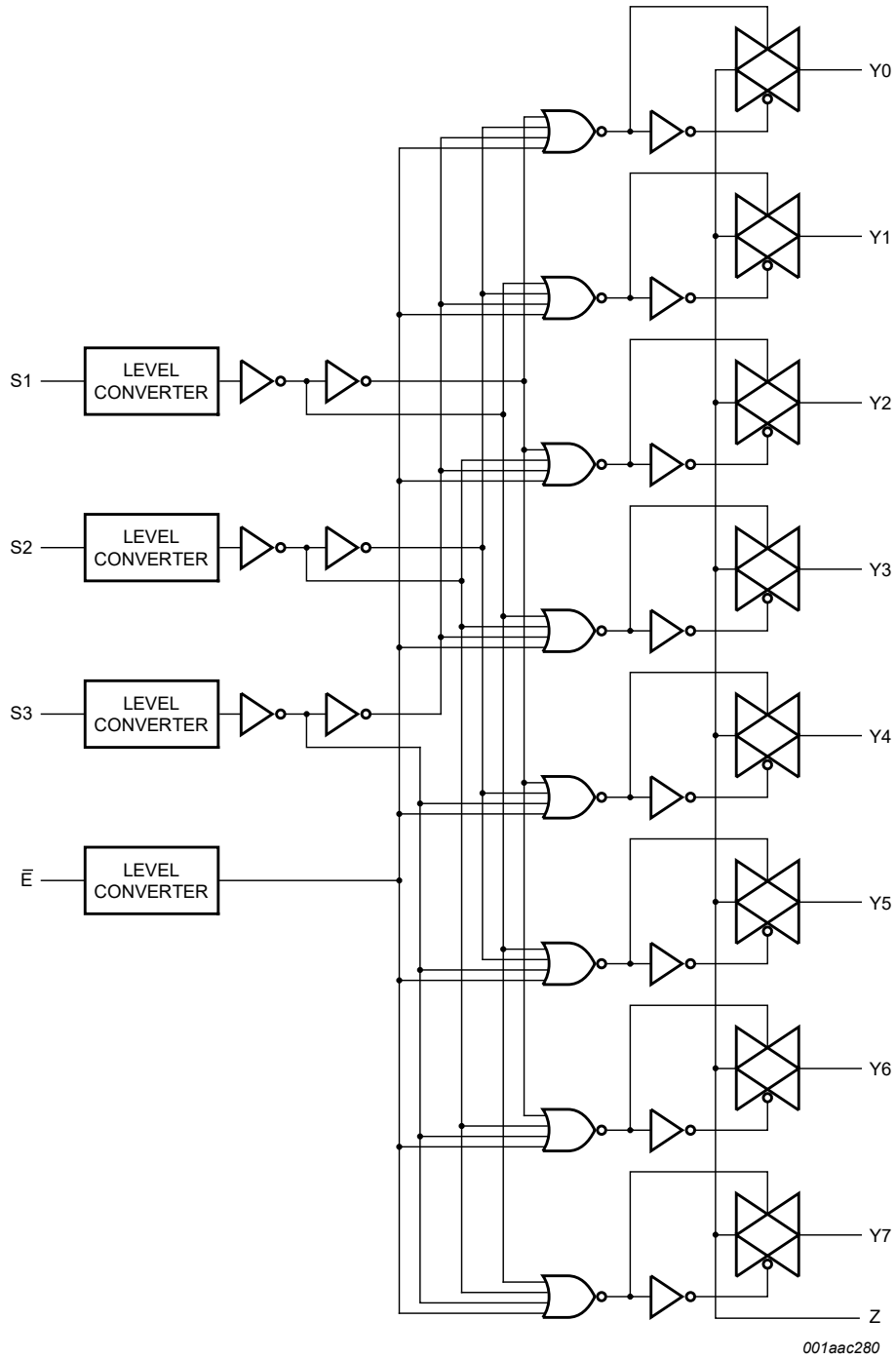


Fig. 5. Logic diagram

6. Pinning information

6.1. Pinning

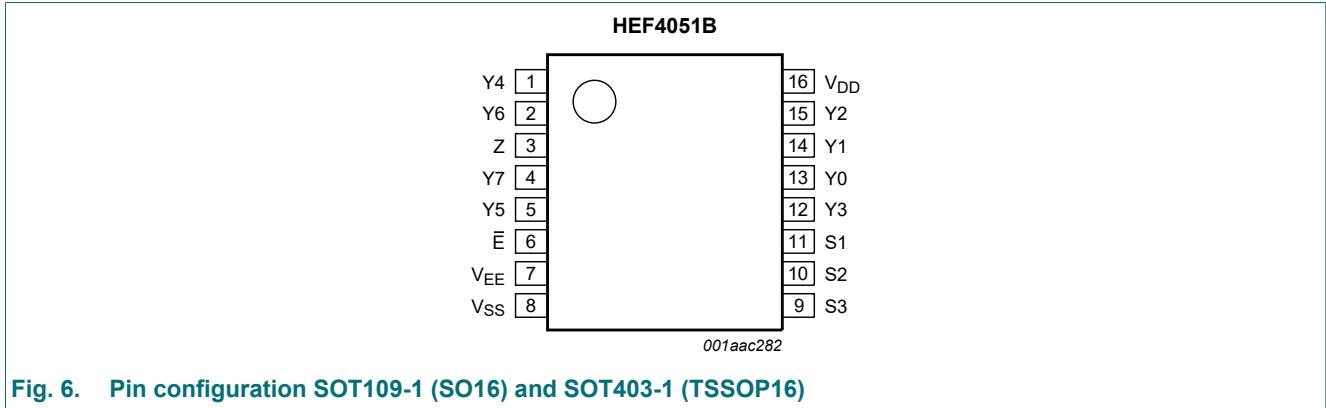


Fig. 6. Pin configuration SOT109-1 (SO16) and SOT403-1 (TSSOP16)

6.2. Pin description

Table 2. Pin description

| Symbol | Pin | Description |
|--------------------------------|----------------------------|-----------------------------|
| \bar{E} | 6 | enable input (active LOW) |
| V_{EE} | 7 | supply voltage |
| V_{SS} | 8 | ground supply voltage |
| S1, S2, S3 | 11, 10, 9 | select input |
| Y0, Y1, Y2, Y3, Y4, Y5, Y6, Y7 | 13, 14, 15, 12, 1, 5, 2, 4 | independent input or output |
| Z | 3 | common output or input |
| V_{DD} | 16 | supply voltage |

7. Functional description

Table 3. Function table

H = HIGH voltage level; L = LOW voltage level; X = don't care.

| Input | | | | Channel ON |
|-----------|----|----|----|--------------|
| \bar{E} | S3 | S2 | S1 | |
| L | L | L | L | Y0 to Z |
| L | L | L | H | Y1 to Z |
| L | L | H | L | Y2 to Z |
| L | L | H | H | Y3 to Z |
| L | H | L | L | Y4 to Z |
| L | H | L | H | Y5 to Z |
| L | H | H | L | Y6 to Z |
| L | H | H | H | Y7 to Z |
| H | X | X | X | switches off |

8. Limiting values

Table 4. Limiting values

In accordance with the Absolute Maximum Rating System (IEC 60134). Voltages are referenced to $V_{SS} = 0$ V (ground).

| Symbol | Parameter | Conditions | Min | Max | Unit |
|-----------|-------------------------|--|------|----------------|------|
| V_{DD} | supply voltage | | -0.5 | +18 | V |
| V_{EE} | supply voltage | referenced to V_{DD} [1] | -18 | +0.5 | V |
| I_{IK} | input clamping current | pins Sn and E; $V_I < -0.5$ V or $V_I > V_{DD} + 0.5$ V | - | ± 10 | mA |
| V_I | input voltage | | -0.5 | $V_{DD} + 0.5$ | V |
| $I_{I/O}$ | input/output current | | - | ± 10 | mA |
| I_{DD} | supply current | | - | 50 | mA |
| T_{stg} | storage temperature | | -65 | +150 | °C |
| T_{amb} | ambient temperature | | -40 | +125 | °C |
| P_{tot} | total power dissipation | $T_{amb} = -40$ °C to +125 °C [2] | - | 500 | mW |
| P | power dissipation | per output | - | 100 | mW |

- [1] To avoid drawing V_{DD} current out of terminal Z, when switch current flows into terminals Y, the voltage drop across the bidirectional switch must not exceed 0.4 V. If the switch current flows into terminal Z, no V_{DD} current will flow out of terminals Y, and in this case there is no limit for the voltage drop across the switch, but the voltages at Y and Z may not exceed V_{DD} or V_{EE} .
- [2] For SOT109-1 (SO16) package: P_{tot} derates linearly with 12.4 mW/K above 110 °C.
For SOT403-1 (TSSOP16) package: P_{tot} derates linearly with 8.5 mW/K above 91 °C.

9. Recommended operating conditions

Table 5. Recommended operating conditions

| Symbol | Parameter | Conditions | Min | Typ | Max | Unit |
|---------------------|-------------------------------------|-----------------|-----|-----|----------|-----------------|
| V_{DD} | supply voltage | see Fig. 7 | 3 | - | 15 | V |
| V_I | input voltage | | 0 | - | V_{DD} | V |
| T_{amb} | ambient temperature | in free air | -40 | - | +125 | °C |
| $\Delta t/\Delta V$ | input transition rise and fall rate | $V_{DD} = 5$ V | - | - | 3.75 | $\mu\text{s/V}$ |
| | | $V_{DD} = 10$ V | - | - | 0.5 | $\mu\text{s/V}$ |
| | | $V_{DD} = 15$ V | - | - | 0.08 | $\mu\text{s/V}$ |

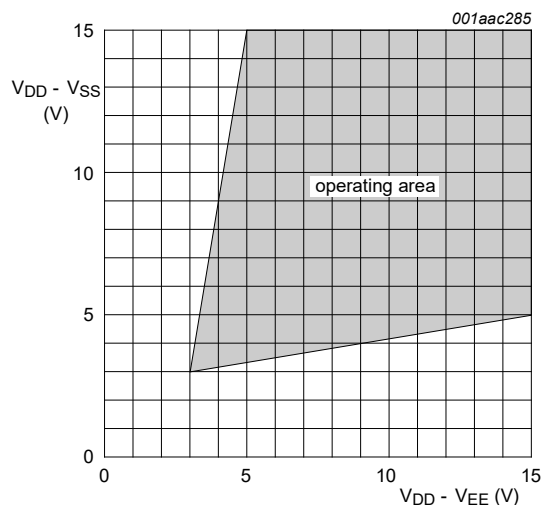


Fig. 7. Operating area as a function of the supply voltages

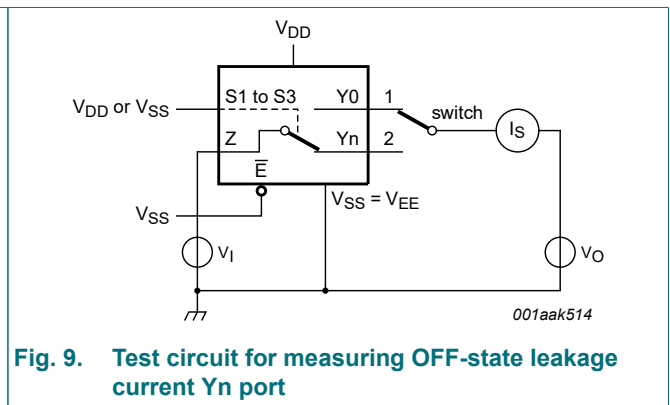
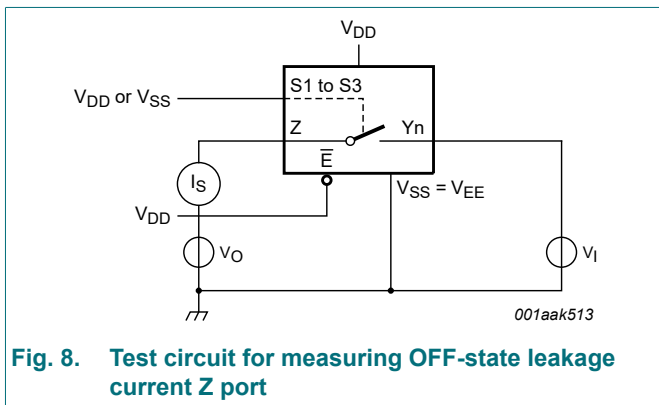
10. Static characteristics

Table 6. Static characteristics

$V_{SS} = V_{EE} = 0\text{ V}$; $V_I = V_{SS}$ or V_{DD} unless otherwise specified.

| Symbol | Parameter | Conditions | V _{DD} | T _{amb} = -40 °C | | T _{amb} = 25 °C | | T _{amb} = 85 °C | | T _{amb} = 125 °C | | Unit |
|---------------------|---------------------------|--------------------------------------|-----------------|---------------------------|------|--------------------------|------|--------------------------|------|---------------------------|------|------|
| | | | | Min | Max | Min | Max | Min | Max | Min | Max | |
| V _{IH} | HIGH-level input voltage | I _O < 1 μA | 5 V | 3.5 | - | 3.5 | - | 3.5 | - | 3.5 | - | V |
| | | | 10 V | 7.0 | - | 7.0 | - | 7.0 | - | 7.0 | - | V |
| | | | 15 V | 11.0 | - | 11.0 | - | 11.0 | - | 11.0 | - | V |
| V _{IL} | LOW-level input voltage | I _O < 1 μA | 5 V | - | 1.5 | - | 1.5 | - | 1.5 | - | 1.5 | V |
| | | | 10 V | - | 3.0 | - | 3.0 | - | 3.0 | - | 3.0 | V |
| | | | 15 V | - | 4.0 | - | 4.0 | - | 4.0 | - | 4.0 | V |
| I _I | input leakage current | | 15 V | - | ±0.1 | - | ±0.1 | - | ±1.0 | - | ±1.0 | μA |
| I _{S(OFF)} | OFF-state leakage current | Z port; all channels OFF; see Fig. 8 | 15 V | - | - | - | 1000 | - | - | - | - | nA |
| | | Y port; per channel; see Fig. 9 | 15 V | - | - | - | 200 | - | - | - | - | nA |
| I _{DD} | supply current | I _O = 0 A | 5 V | - | 5 | - | 5 | - | 150 | - | 150 | μA |
| | | | 10 V | - | 10 | - | 10 | - | 300 | - | 300 | μA |
| | | | 15 V | - | 20 | - | 20 | - | 600 | - | 600 | μA |
| C _I | input capacitance | S _n , E inputs | - | - | - | - | 7.5 | - | - | - | - | pF |

10.1. Test circuits



10.2. ON resistance

Table 7. ON resistance

$T_{amb} = 25\text{ }^{\circ}\text{C}$; $I_{SW} = 200\text{ }\mu\text{A}$; $V_{SS} = V_{EE} = 0\text{ V}$.

| Symbol | Parameter | Conditions | $V_{DD} - V_{EE}$ | Typ | Max | Unit |
|-----------------|---|--|-------------------|-----|------|----------|
| $R_{ON(peak)}$ | ON resistance (peak) | $V_I = 0\text{ V to }V_{DD} - V_{EE}$; see Fig. 10 and Fig. 11 | 5 V | 350 | 2500 | Ω |
| | | | 10 V | 80 | 245 | Ω |
| | | | 15 V | 60 | 175 | Ω |
| $R_{ON(rail)}$ | ON resistance (rail) | $V_I = 0\text{ V}$; see Fig. 10 and Fig. 11 | 5 V | 115 | 340 | Ω |
| | | | 10 V | 50 | 160 | Ω |
| | | | 15 V | 40 | 115 | Ω |
| | | $V_I = V_{DD} - V_{EE}$; see Fig. 10 and Fig. 11 | 5 V | 120 | 365 | Ω |
| | | | 10 V | 65 | 200 | Ω |
| | | | 15 V | 50 | 155 | Ω |
| ΔR_{ON} | ON resistance mismatch between channels | $V_I = 0\text{ V to }V_{DD} - V_{EE}$; see Fig. 10 | 5 V | 25 | - | Ω |
| | | | 10 V | 10 | - | Ω |
| | | | 15 V | 5 | - | Ω |

10.2.1. ON resistance waveform and test circuit

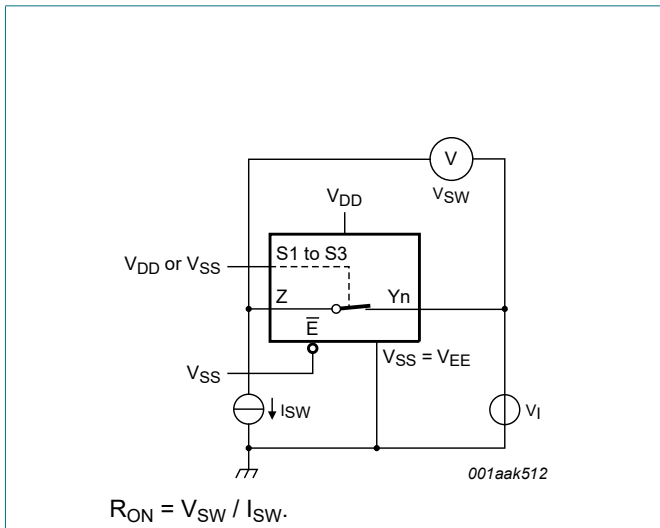


Fig. 10. Test circuit for measuring R_{ON}

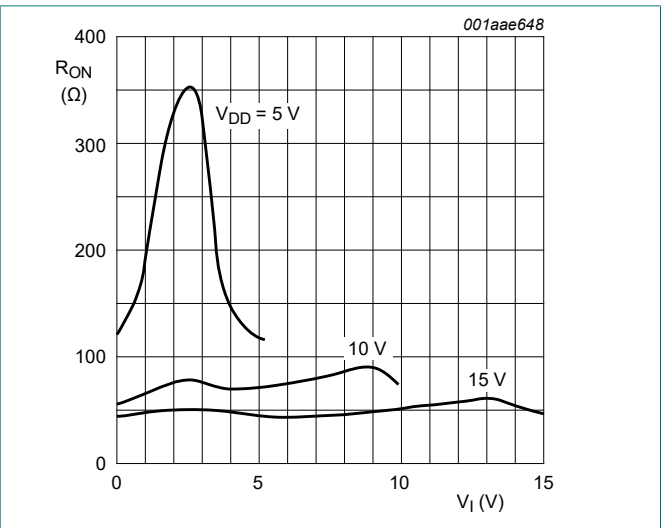


Fig. 11. Typical R_{ON} as a function of input voltage

11. Dynamic characteristics

Table 8. Dynamic characteristics

$T_{amb} = 25\text{ }^{\circ}\text{C}$; $V_{SS} = V_{EE} = 0\text{ V}$; for test circuit see [Fig. 15](#).

| Symbol | Parameter | Conditions | V _{DD} | Typ | Max | Unit |
|------------------|-------------------------------------|---|-----------------|-----|-----|------|
| t _{PHL} | HIGH to LOW propagation delay | Y _n , Z to Z, Y _n ; see Fig. 12 | 5 V | 15 | 30 | ns |
| | | | 10 V | 5 | 10 | ns |
| | | | 15 V | 5 | 10 | ns |
| | | S _n to Y _n , Z; see Fig. 13 | 5 V | 150 | 300 | ns |
| | | | 10 V | 60 | 120 | ns |
| | | | 15 V | 45 | 90 | ns |
| t _{PLH} | LOW to HIGH propagation delay | Y _n , Z to Z, Y _n ; see Fig. 12 | 5 V | 15 | 30 | ns |
| | | | 10 V | 5 | 10 | ns |
| | | | 15 V | 5 | 10 | ns |
| | | S _n to Y _n , Z; see Fig. 13 | 5 V | 150 | 300 | ns |
| | | | 10 V | 65 | 130 | ns |
| | | | 15 V | 45 | 90 | ns |
| t _{PHZ} | HIGH to OFF-state propagation delay | \bar{E} to Y _n , Z; see Fig. 14 | 5 V | 120 | 240 | ns |
| | | | 10 V | 90 | 180 | ns |
| | | | 15 V | 85 | 170 | ns |
| t _{PZH} | OFF-state to HIGH propagation delay | \bar{E} to Y _n , Z; see Fig. 14 | 5 V | 140 | 280 | ns |
| | | | 10 V | 55 | 110 | ns |
| | | | 15 V | 40 | 80 | ns |
| t _{PLZ} | LOW to OFF-state propagation delay | \bar{E} to Y _n , Z; see Fig. 14 | 5 V | 145 | 290 | ns |
| | | | 10 V | 120 | 240 | ns |
| | | | 15 V | 115 | 230 | ns |
| t _{PZL} | OFF-state to LOW propagation delay | \bar{E} to Y _n , Z; see Fig. 14 | 5 V | 140 | 280 | ns |
| | | | 10 V | 55 | 110 | ns |
| | | | 15 V | 40 | 80 | ns |

11.1. Waveforms and test circuit

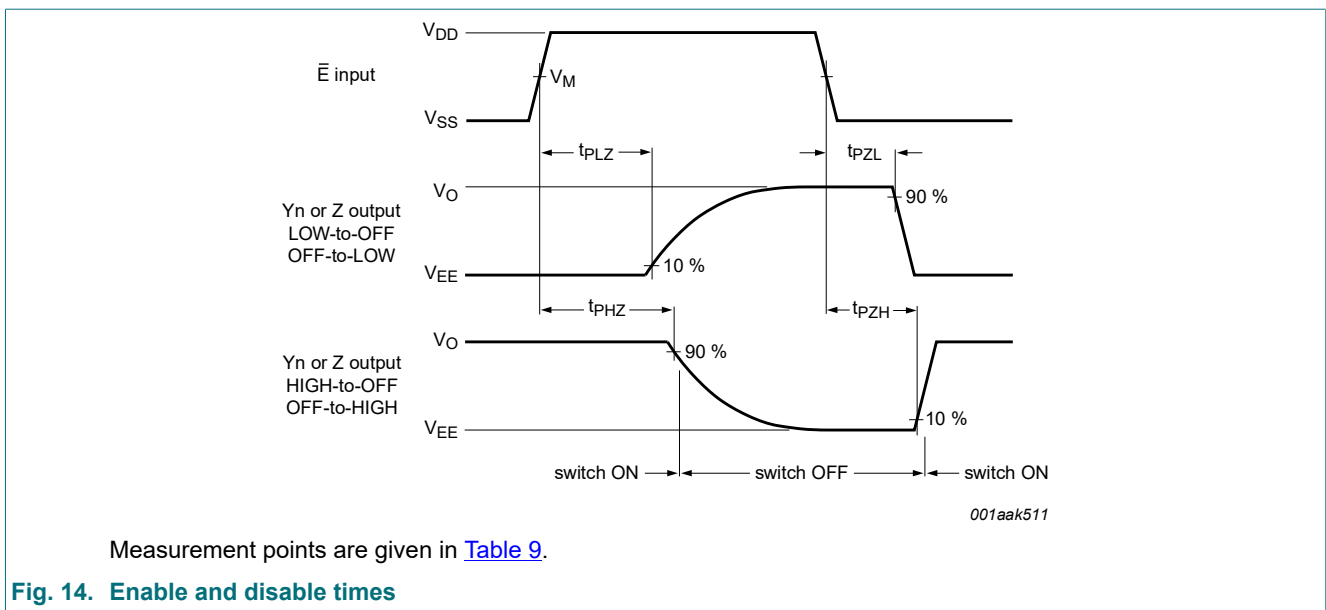
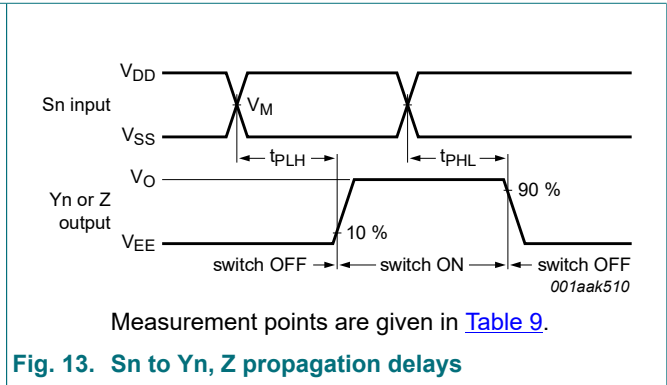
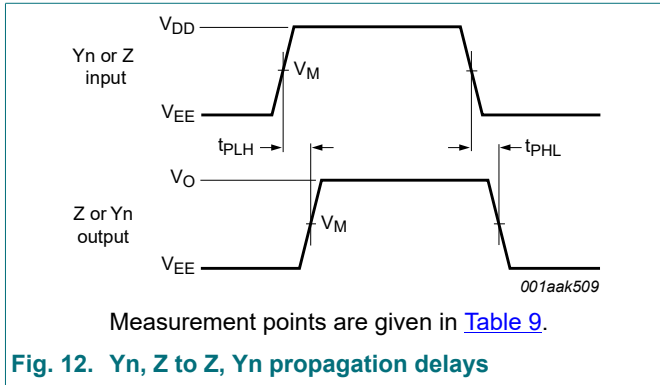
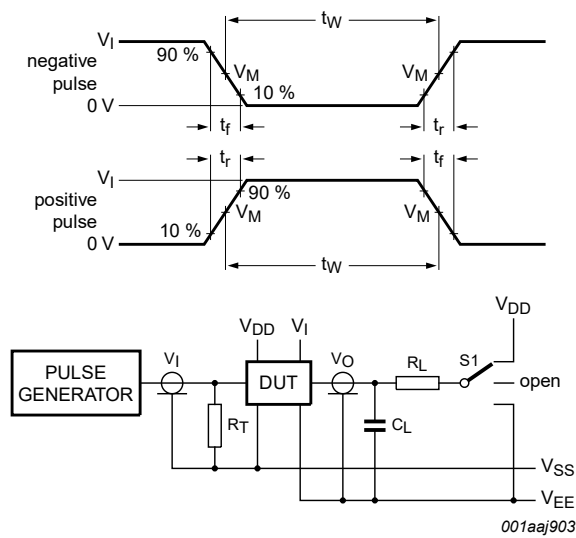


Table 9. Measurement points

| Supply voltage | Input | Output |
|-----------------|--------------------|--------------------|
| V _{DD} | V _M | V _M |
| 5 V to 15 V | 0.5V _{DD} | 0.5V _{DD} |



Test data is given in [Table 10](#).

Definitions:

R_T = Termination resistance should be equal to output impedance Z_o of the pulse generator.

C_L = Load capacitance including test jig and probe.

R_L = Load resistance.

Fig. 15. Test circuit for measuring switching times

Table 10. Test data

| Input | | | | Load | | S1 position | | | | |
|----------------------|----------------------|--------------|-------------|-------|---------------|----------------------|-----------|--------------------|--------------------|----------|
| Yn, Z | Sn and \bar{E} | t_r, t_f | V_M | C_L | R_L | t_{PHL} [1] | t_{PLH} | t_{PZH}, t_{PHZ} | t_{PZL}, t_{PLZ} | other |
| V_{DD} or V_{EE} | V_{DD} or V_{SS} | ≤ 20 ns | $0.5V_{DD}$ | 50 pF | 10 k Ω | V_{DD} or V_{EE} | V_{EE} | V_{EE} | V_{DD} | V_{EE} |

[1] For Yn to Z or Z to Yn propagation delays use V_{EE} . For Sn to Yn or Z propagation delays use V_{DD} .

11.2. Additional dynamic parameters

Table 11. Additional dynamic characteristics

$V_{SS} = V_{EE} = 0$ V; $T_{amb} = 25$ °C.

| Symbol | Parameter | Conditions | V_{DD} | Typ | Max | Unit |
|----------------|---------------------------|---|----------|----------|-----|------|
| THD | total harmonic distortion | see Fig. 16 ; $R_L = 10$ k Ω ; $C_L = 15$ pF; channel ON; $V_I = 0.5V_{DD}$ (p-p); $f_i = 1$ kHz | 5 V | [1] 0.25 | - | % |
| | | | 10 V | [1] 0.04 | - | % |
| | | | 15 V | [1] 0.04 | - | % |
| $f_{(-3dB)}$ | -3 dB frequency response | see Fig. 17 ; $R_L = 1$ k Ω ; $C_L = 5$ pF; channel ON; $V_I = 0.5V_{DD}$ (p-p) | 5 V | [1] 13 | - | MHz |
| | | | 10 V | [1] 40 | - | MHz |
| | | | 15 V | [1] 70 | - | MHz |
| α_{iso} | isolation (OFF-state) | see Fig. 18 ; $f_i = 1$ MHz; $R_L = 1$ k Ω ; $C_L = 5$ pF; channel OFF; $V_I = 0.5V_{DD}$ (p-p) | 10 V | [1] -50 | - | dB |
| V_{ct} | crosstalk voltage | digital inputs to switch; see Fig. 19 ; $R_L = 10$ k Ω ; $C_L = 15$ pF; \bar{E} or Sn = V_{DD} (square-wave) | 10 V | 50 | - | mV |
| Xtalk | crosstalk | between switches; see Fig. 20 ; $f_i = 1$ MHz; $R_L = 1$ k Ω ; $V_I = 0.5V_{DD}$ (p-p) | 10 V | [1] -50 | - | dB |

[1] f_i is biased at $0.5 V_{DD}$; $V_I = 0.5V_{DD}$ (p-p).

Table 12. Dynamic power dissipation P_D

P_D can be calculated from the formulas shown; $V_{EE} = V_{SS} = 0\text{ V}$; $t_r = t_f \leq 20\text{ ns}$; $T_{amb} = 25\text{ }^\circ\text{C}$.

| Symbol | Parameter | V_{DD} | Typical formula for P_D (μW) | where: |
|--------|---------------------------|----------|---|--|
| P_D | dynamic power dissipation | 5 V | $P_D = 1000 \times f_i + \Sigma(f_o \times C_L) \times V_{DD}^2$ | f_i = input frequency in MHz; f_o = output frequency in MHz; C_L = output load capacitance in pF; V_{DD} = supply voltage in V; $\Sigma(C_L \times f_o)$ = sum of the outputs. |
| | | 10 V | $P_D = 5500 \times f_i + \Sigma(f_o \times C_L) \times V_{DD}^2$ | |
| | | 15 V | $P_D = 15000 \times f_i + \Sigma(f_o \times C_L) \times V_{DD}^2$ | |

11.2.1. Test circuits

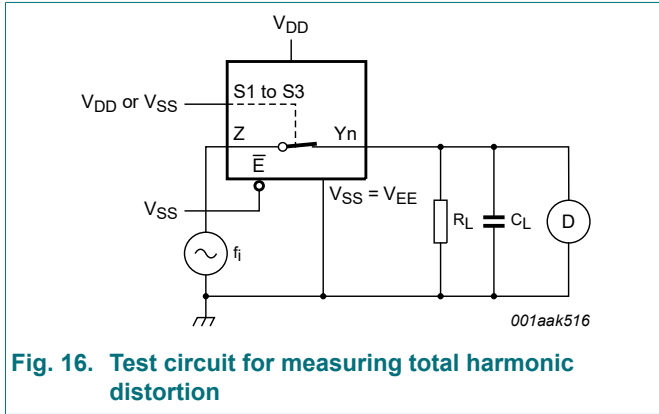


Fig. 16. Test circuit for measuring total harmonic distortion

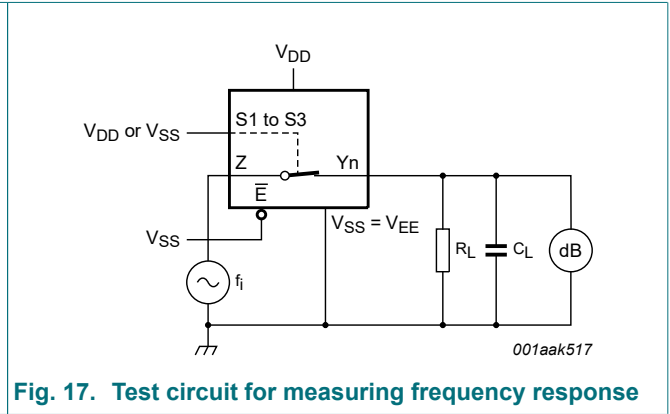


Fig. 17. Test circuit for measuring frequency response

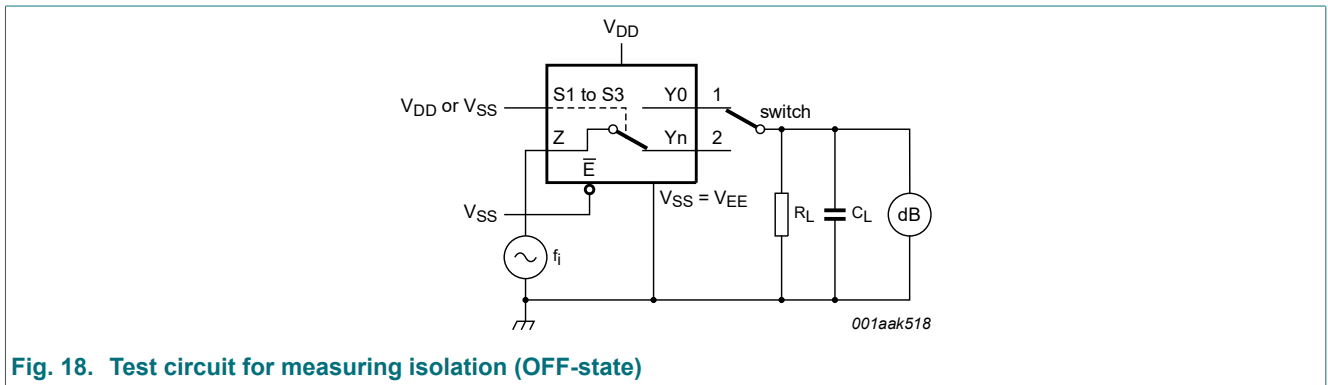


Fig. 18. Test circuit for measuring isolation (OFF-state)

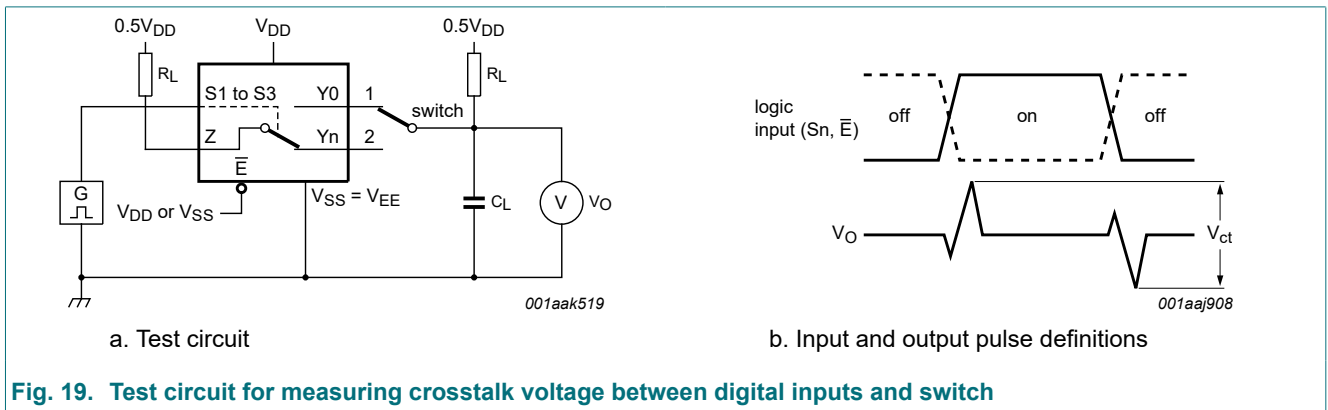
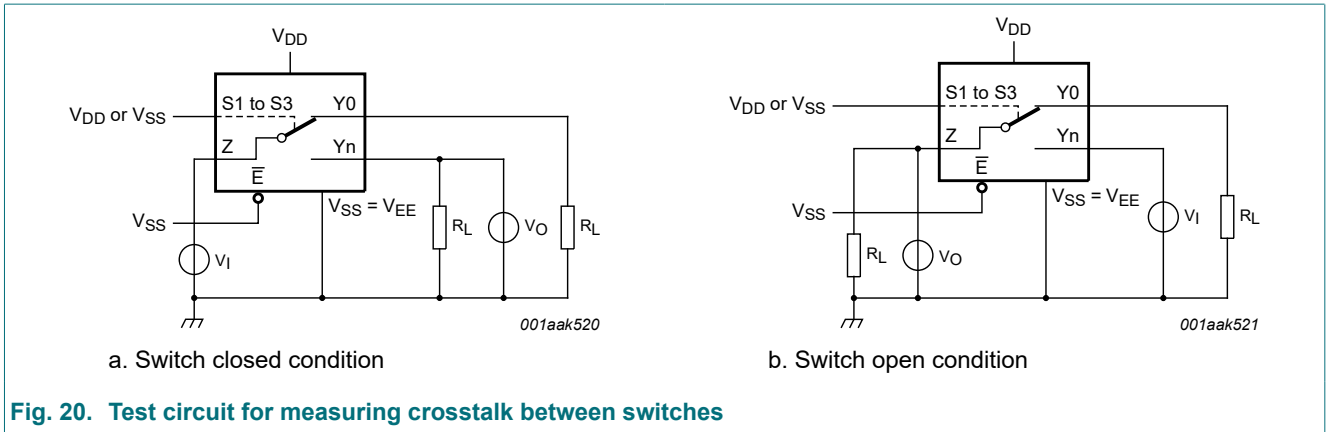


Fig. 19. Test circuit for measuring crosstalk voltage between digital inputs and switch



12. Package outline

SO16: plastic small outline package; 16 leads; body width 3.9 mm

SOT109-1

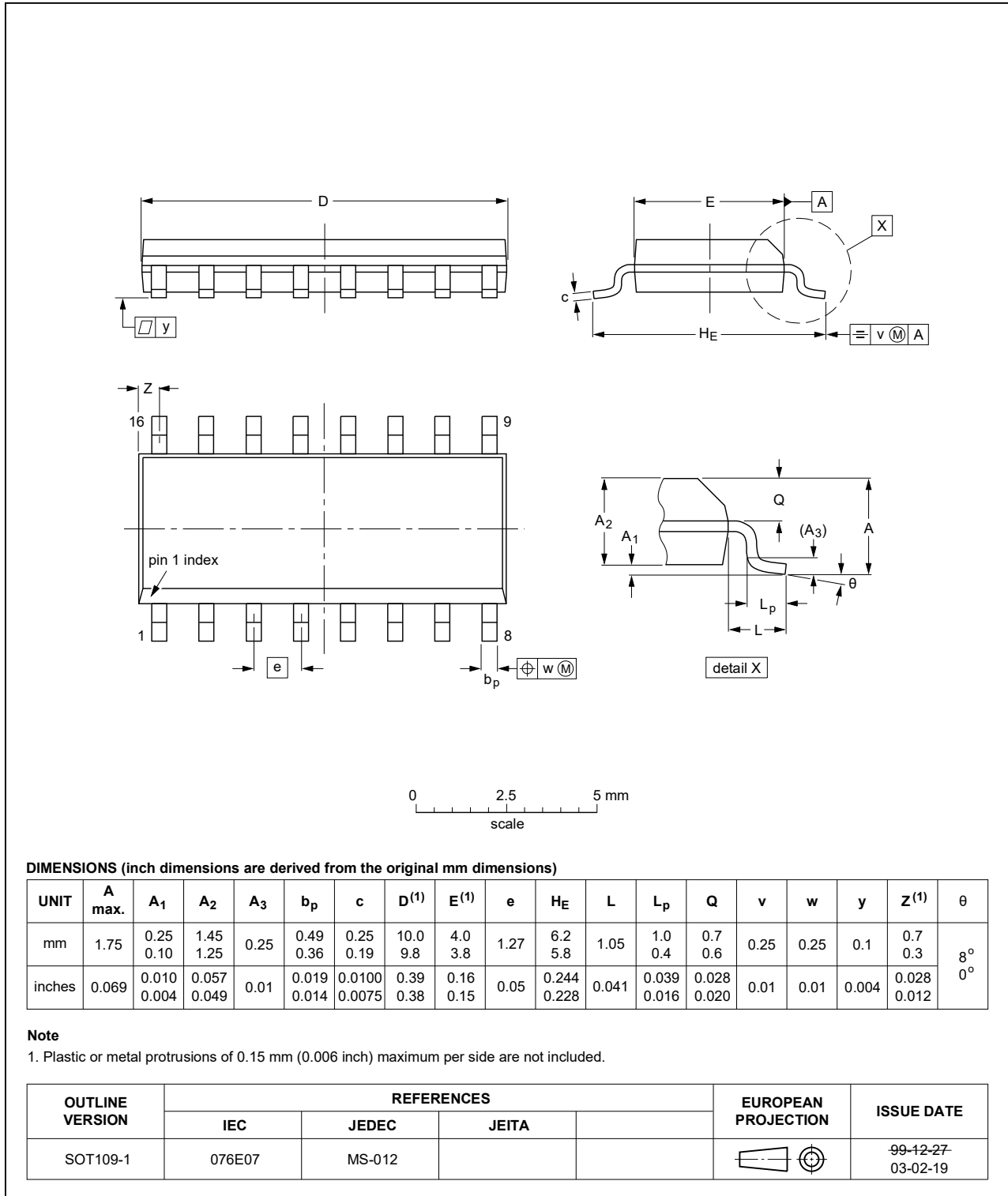


Fig. 21. Package outline SOT109-1 (SO16)

TSSOP16: plastic thin shrink small outline package; 16 leads; body width 4.4 mm

SOT403-1

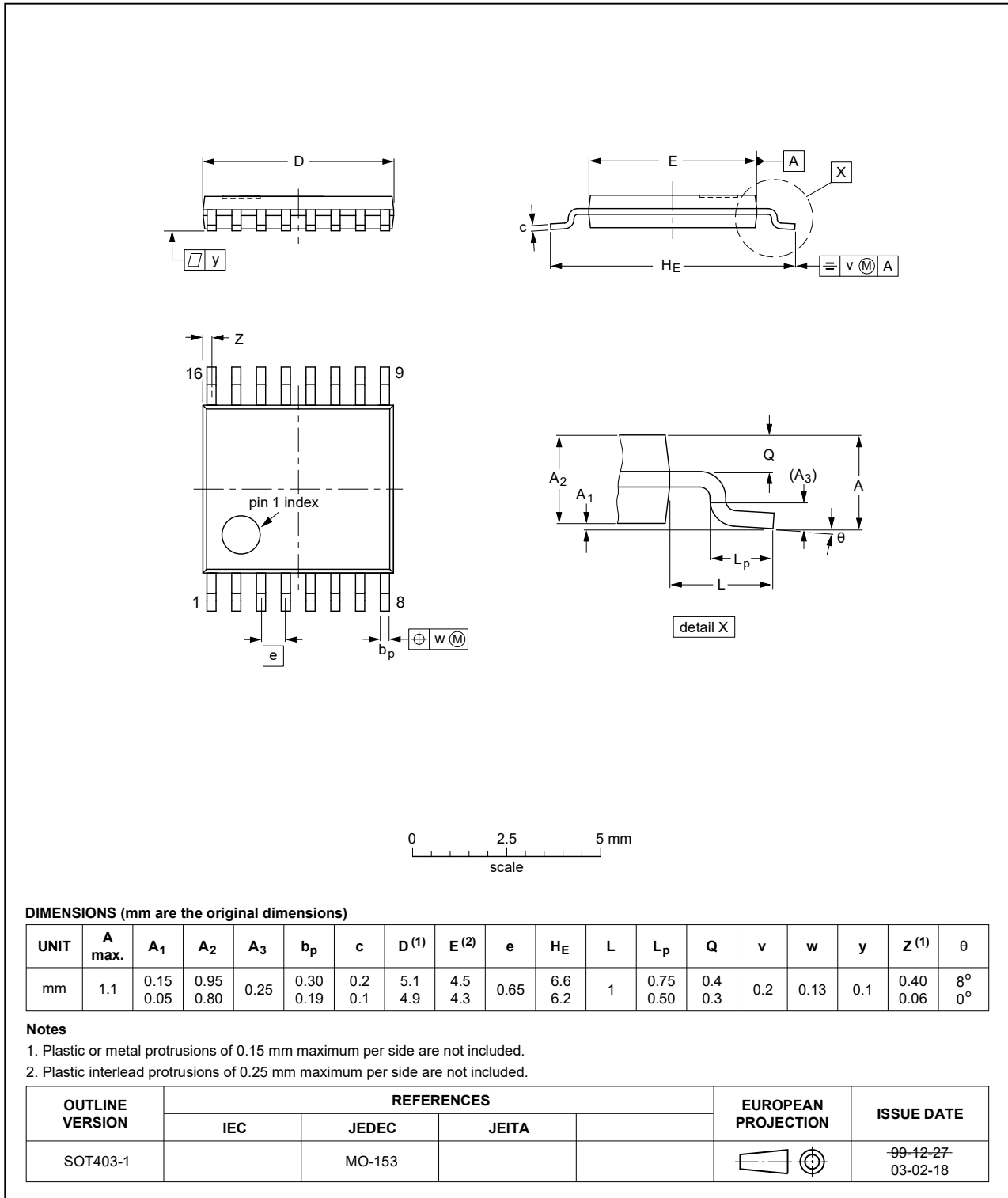


Fig. 22. Package outline SOT403-1 (TSSOP16)

13. Abbreviations

Table 13. Abbreviations

| Acronym | Description |
|---------|---|
| CMOS | Complementary Metal-Oxide Semiconductor |
| DUT | Device Under Test |
| ESD | ElectroStatic Discharge |
| HBM | Human Body Model |
| MIL | Military |
| MM | Machine Model |

14. Revision history

Table 14. Revision history

| Document ID | Release date | Data sheet status | Change notice | Supersedes |
|-------------------|---|--------------------|---------------|-------------------|
| HEF4051B_Q100 v.3 | 20210729 | Product data sheet | - | HEF4051B_Q100 v.2 |
| Modifications: | <ul style="list-style-type: none"> The format of this data sheet has been redesigned to comply with the identity guidelines of Nexperia. Legal texts have been adapted to the new company name where appropriate. Section 1 and Section 2 updated. Section 8: Derating values for P_{tot} total power dissipation updated. | | | |
| HEF4051B_Q100 v.2 | 20140911 | Product data sheet | - | HEF4051B_Q100 v.1 |
| Modifications: | <ul style="list-style-type: none"> Fig. 19: Test circuit modified | | | |
| HEF4051B_Q100 v.1 | 20120712 | Product data sheet | - | - |

15. Legal information

Data sheet status

| Document status [1][2] | Product status [3] | Definition |
|--------------------------------|--------------------|---|
| Objective [short] data sheet | Development | This document contains data from the objective specification for product development. |
| Preliminary [short] data sheet | Qualification | This document contains data from the preliminary specification. |
| Product [short] data sheet | Production | This document contains the product specification. |

- [1] Please consult the most recently issued document before initiating or completing a design.
- [2] The term 'short data sheet' is explained in section "Definitions".
- [3] The product status of device(s) described in this document may have changed since this document was published and may differ in case of multiple devices. The latest product status information is available on the internet at <https://www.nexperia.com>.

Definitions

Draft — The document is a draft version only. The content is still under internal review and subject to formal approval, which may result in modifications or additions. Nexperia does not give any representations or warranties as to the accuracy or completeness of information included herein and shall have no liability for the consequences of use of such information.

Short data sheet — A short data sheet is an extract from a full data sheet with the same product type number(s) and title. A short data sheet is intended for quick reference only and should not be relied upon to contain detailed and full information. For detailed and full information see the relevant full data sheet, which is available on request via the local Nexperia sales office. In case of any inconsistency or conflict with the short data sheet, the full data sheet shall prevail.

Product specification — The information and data provided in a Product data sheet shall define the specification of the product as agreed between Nexperia and its customer, unless Nexperia and customer have explicitly agreed otherwise in writing. In no event however, shall an agreement be valid in which the Nexperia product is deemed to offer functions and qualities beyond those described in the Product data sheet.

Disclaimers

Limited warranty and liability — Information in this document is believed to be accurate and reliable. However, Nexperia does not give any representations or warranties, expressed or implied, as to the accuracy or completeness of such information and shall have no liability for the consequences of use of such information. Nexperia takes no responsibility for the content in this document if provided by an information source outside of Nexperia.

In no event shall Nexperia be liable for any indirect, incidental, punitive, special or consequential damages (including - without limitation - lost profits, lost savings, business interruption, costs related to the removal or replacement of any products or rework charges) whether or not such damages are based on tort (including negligence), warranty, breach of contract or any other legal theory.

Notwithstanding any damages that customer might incur for any reason whatsoever, Nexperia's aggregate and cumulative liability towards customer for the products described herein shall be limited in accordance with the Terms and conditions of commercial sale of Nexperia.

Right to make changes — Nexperia reserves the right to make changes to information published in this document, including without limitation specifications and product descriptions, at any time and without notice. This document supersedes and replaces all information supplied prior to the publication hereof.

Suitability for use in automotive applications — This Nexperia product has been qualified for use in automotive applications. Unless otherwise agreed in writing, the product is not designed, authorized or warranted to be suitable for use in life support, life-critical or safety-critical systems or

equipment, nor in applications where failure or malfunction of an Nexperia product can reasonably be expected to result in personal injury, death or severe property or environmental damage. Nexperia and its suppliers accept no liability for inclusion and/or use of Nexperia products in such equipment or applications and therefore such inclusion and/or use is at the customer's own risk.

Quick reference data — The Quick reference data is an extract of the product data given in the Limiting values and Characteristics sections of this document, and as such is not complete, exhaustive or legally binding.

Applications — Applications that are described herein for any of these products are for illustrative purposes only. Nexperia makes no representation or warranty that such applications will be suitable for the specified use without further testing or modification.

Customers are responsible for the design and operation of their applications and products using Nexperia products, and Nexperia accepts no liability for any assistance with applications or customer product design. It is customer's sole responsibility to determine whether the Nexperia product is suitable and fit for the customer's applications and products planned, as well as for the planned application and use of customer's third party customer(s). Customers should provide appropriate design and operating safeguards to minimize the risks associated with their applications and products.

Nexperia does not accept any liability related to any default, damage, costs or problem which is based on any weakness or default in the customer's applications or products, or the application or use by customer's third party customer(s). Customer is responsible for doing all necessary testing for the customer's applications and products using Nexperia products in order to avoid a default of the applications and the products or of the application or use by customer's third party customer(s). Nexperia does not accept any liability in this respect.

Limiting values — Stress above one or more limiting values (as defined in the Absolute Maximum Ratings System of IEC 60134) will cause permanent damage to the device. Limiting values are stress ratings only and (proper) operation of the device at these or any other conditions above those given in the Recommended operating conditions section (if present) or the Characteristics sections of this document is not warranted. Constant or repeated exposure to limiting values will permanently and irreversibly affect the quality and reliability of the device.

Terms and conditions of commercial sale — Nexperia products are sold subject to the general terms and conditions of commercial sale, as published at <http://www.nexperia.com/profile/terms>, unless otherwise agreed in a valid written individual agreement. In case an individual agreement is concluded only the terms and conditions of the respective agreement shall apply. Nexperia hereby expressly objects to applying the customer's general terms and conditions with regard to the purchase of Nexperia products by customer.

No offer to sell or license — Nothing in this document may be interpreted or construed as an offer to sell products that is open for acceptance or the grant, conveyance or implication of any license under any copyrights, patents or other industrial or intellectual property rights.

Export control — This document as well as the item(s) described herein may be subject to export control regulations. Export might require a prior authorization from competent authorities.

Translations — A non-English (translated) version of a document is for reference only. The English version shall prevail in case of any discrepancy between the translated and English versions.

Trademarks

Notice: All referenced brands, product names, service names and trademarks are the property of their respective owners.

Contents

| | |
|--|-----------|
| 1. General description | 1 |
| 2. Features and benefits | 1 |
| 3. Applications | 1 |
| 4. Ordering information | 1 |
| 5. Functional diagram | 2 |
| 6. Pinning information | 5 |
| 6.1. Pinning..... | 5 |
| 6.2. Pin description..... | 5 |
| 7. Functional description | 5 |
| 8. Limiting values | 6 |
| 9. Recommended operating conditions | 6 |
| 10. Static characteristics | 7 |
| 10.1. Test circuits..... | 7 |
| 10.2. ON resistance..... | 8 |
| 10.2.1. ON resistance waveform and test circuit..... | 8 |
| 11. Dynamic characteristics | 9 |
| 11.1. Waveforms and test circuit..... | 10 |
| 11.2. Additional dynamic parameters..... | 11 |
| 11.2.1. Test circuits..... | 12 |
| 12. Package outline | 14 |
| 13. Abbreviations | 16 |
| 14. Revision history | 16 |
| 15. Legal information | 17 |

© Nexperia B.V. 2021. All rights reserved

For more information, please visit: <http://www.nexperia.com>

For sales office addresses, please send an email to: salesaddresses@nexperia.com

Date of release: 29 July 2021